

Eclipsis Series Controls
for use with
Electronic Low Voltage Transformers
120V and 277V



<u>120V</u>	<u>277V</u>
PLV-5	PLV-527
PLV-5-3W	PLV-527-3W

Features:

- Continuous, flicker-free dimming control.
- Operates low voltage incandescent lighting that utilizes approved electronic and magnetic transformers.
- Specification-grade, preset design.
- Standard designer-style faceplate, included. (Screwless faceplate, optional.)
- Available in Ivory, White (standard colors), Brown, Black, or Gray (custom colors).
- Limited one-year warranty.

Specifications:

- Easy-to-operate, smooth-sliding linear control and switch.
- Preset slide control - strap mount.
- RFI filter.
- UL Listed.
- Available in single-pole or 3-way
- Fits in a standard 2" deep single gang switchbox.
- Maximum loads for both PLV-5 and PLV-527: 500 volt/amps (400 watts).

Dimensions:

Front piece dimensions: 2 3/4" X 4 1/2".
 Back box dimensions: 1 5/8" X 2 5/8" X 1 3/8".

Dimming.

It's all we do.
 Since 1960.

Note: If ganging multiple controls together, derating of 10% per side is necessary. All 3-way controls require a standard 3-way toggle switch to complete the circuit.

Hunt Control Systems Inc.
 200 Rome Court
 Fort Collins CO 80524

Tel: (970) 484-9048
 Fax: (970) 493-4125
huntdimming.com

Installation and Wiring Instructions for HUNT Model PLV-5 Single Pole and 3-Way 120 Volt, 60 Hz

This dimmer is designed for control of permanently installed, approved electronic and magnetic low-voltage transformers.

Caution:

To reduce the risk of overheating and possible damage to other equipment, do not install to control a receptacle, a motor-operated appliance, or a ballast-supplied appliance.

Read Carefully Before Installing Dimmers:

1. To avoid fire, personal injury and/or damage to dimmer; turn power off at circuit breaker and test that power is *OFF* before wiring.
2. Use this device with copper or copper clad wire only.
3. Observe maximum number of transformers per dimmer, not to exceed a total of 500 volt/amps (400 watts).
4. When installing a 3-way dimmer use only one dimmer and one standard 3-way switch per circuit. Never attempt to use two dimmers in the same circuit.
5. This low voltage dimmer is designed for controlling the primary side of an approved electronic or magnetic low voltage transformer. (See wiring diagram.)
6. For protection of transformers, it is recommended that each transformer be protected with an inline fuse.

Note: The load is determined by adding the VA rating of the transformers to be controlled. The total load should not exceed the maximum VA rating of the low voltage dimmer.

Application Information:

This dimmer is approved for use with the following electronic transformers:

Manufacturer	Model
Hatch Transformer	VS Series
Ligtech Transformer	LET-, LVT-, LRT-120V Series
Reliable Ballast	RB20B10B, RB20B15B, RB20B75T
Delta Transformer	ETC-NV & -IV Series

(Additional electronic transformers may also be compatible with this dimmer. Call HUNT to verify compatibility.)
 Please see reverse for list of typical compatible magnetic low voltage transformers.

Note:

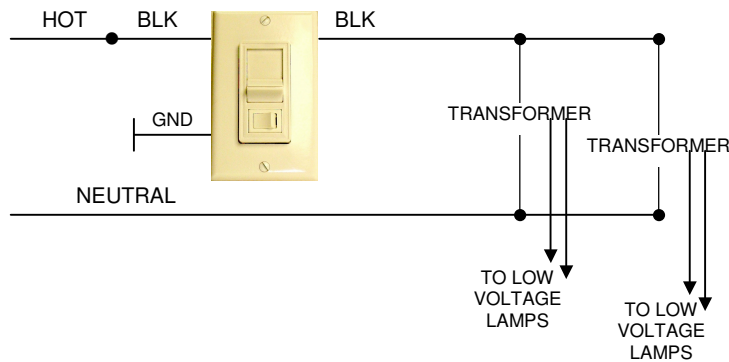
The PLV-5 dimmer has a max. input current of 500 volt/amps (400 watts) in the 120V, single-gang application. If units are ganged together, derating is necessary. Double-ganged units have a max. input current of 360 watts; triple-ganged have a max. input current of 320 watts.

Wiring Diagrams: See reverse side.

HUNT Control Systems, Inc.
 200 Rome Court
 Fort Collins, CO 80524
 U.S.A.
 Ph: (970) 484-9048
 Fax: (970) 493-4125
www.hunt Dimming.com

Wiring Diagrams for Low Voltage Controls 120V

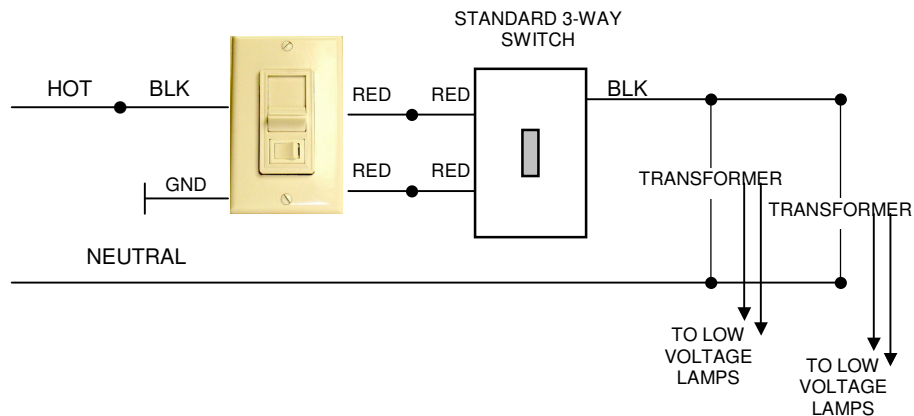
Single Pole Wiring



Typical Compatible Magnetic Low Voltage Transformers

TYPE	RATING
CAPRI ET-1	50VA
(1) CAPRI ET3-2F (REMOTE)	100VA
(1) CAPRI ET4-2F (REMOTE)	250VA
CAPRI KP 5075 (SOLID STATE)	
WIDELIGHT 1T25VA	25VA
WIDELIGHT 1T50VA	50VA
WIDELIGHT 1T100VA	100VA
WIDELIGHT 1T150VA	150VA
HALO L-2001 (SOLID STATE)	50VA
HALO LIGHTING H6591	20VA
HALO LIGHTING H6593	60VA
HALO LIGHTING H6599	180VA
JEFFERSON ELEC. 637-461	50VA
JEFFERSON ELEC. 637-471	100VA
JEFFERSON ELEC. 637-481	150VA
JEFFERSON ELEC. 637-491	250VA
Other transformers may be compatible. Please call factory.	

Three Way Wiring



HUNT Control Systems, Inc.

200 Rome Court
Fort Collins, CO 80524
U.S.A.

Ph: (970) 484-9048

Fax: (970) 493-4125

www.hunt Dimming.com

Installation and Wiring Instructions for HUNT Model PLV-527 Single Pole and 3-Way 277 Volt, 60 Hz

This dimmer is designed for control of permanently installed, approved electronic and magnetic low-voltage transformers.

Caution:

To reduce the risk of overheating and possible damage to other equipment, do not install to control a receptacle, a motor-operated appliance, or a ballast-supplied appliance.

Read Carefully Before Installing Dimmers:

1. To avoid fire, personal injury and/or damage to dimmer; turn power off at circuit breaker and test that power is *OFF* before wiring.
2. Use this device with copper or copper clad wire only.
3. Observe maximum number of transformers per dimmer, not to exceed a total of 500 volt/amps (400 watts).
4. When installing a 3-way dimmer; use only one dimmer and one standard 3-way switch per circuit. Never attempt to use two dimmers in the same circuit.
5. This low voltage dimmer is designed for controlling the primary side of an approved electronic or magnetic low voltage transformer. (See wiring diagram.)
6. For protection of transformers, it is recommended that each transformer be protected with an inline fuse.

Note: The load is determined by adding the VA rating of the transformers to be controlled. The total load should not exceed the maximum VA rating of the low voltage dimmer.

Application Information:

This dimmer is approved for use with the following electronic transformers:

Manufacturer	Model
Hatch Transformer	VJ Series
Lichtech Transformer	LET-277V Series
Reliable Ballast	RB20D75T

(Additional transformers may also be compatible with this dimmer. Call HUNT to verify compatibility.)
 Please see reverse for list of typical compatible magnetic low voltage transformers.

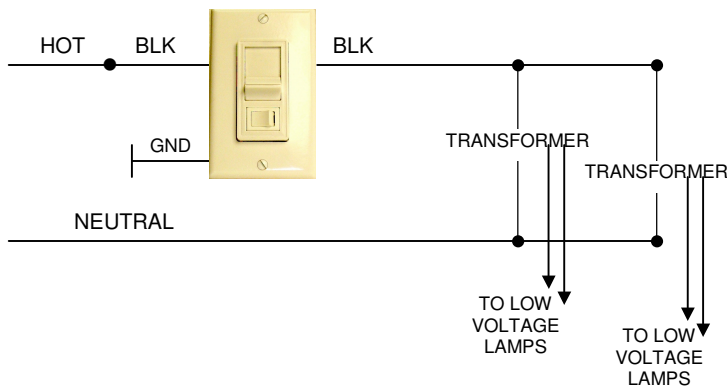
Note:

The maximum input current of the HUNT *PLV-527* is 500 volt/amps (277V). The *PLV-527* dimmer has a max. input current of 500 volt/amps (400 watts) in the 277V, single-gang application. If units are ganged together, derating is necessary. Double-ganged units have a max. input current of 360 watts; triple-ganged have a max. input current of 320 watts.

Wiring Diagrams: See reverse side.

Wiring Diagrams for Low Voltage Controls 277V

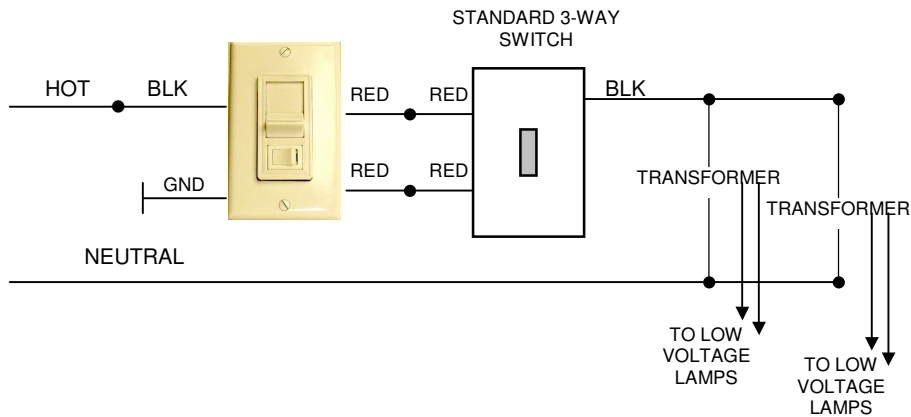
Single Pole Wiring



Typical Compatible Magnetic Low Voltage Transformers

TYPE	RATING
CAPRI ET-1	50VA
(1) CAPRI ET3-2F (REMOTE)	100VA
(1) CAPRI ET4-2F (REMOTE)	250VA
CAPRI KP 5075 (SOLID STATE)	
WIDELIGHT 1T25VA	25VA
WIDELIGHT 1T50VA	50VA
WIDELIGHT 1T100VA	100VA
WIDELIGHT 1T150VA	150VA
HALO L-2001 (SOLID STATE)	50VA
HALO LIGHTING H6591	20VA
HALO LIGHTING H6593	60VA
HALO LIGHTING H6599	180VA
JEFFERSON ELEC. 637-461	50VA
JEFFERSON ELEC. 637-471	100VA
JEFFERSON ELEC. 637-481	150VA
JEFFERSON ELEC. 637-491	250VA
Other transformers may be compatible. Please call factory.	

Three Way Wiring



HUNT Control Systems, Inc.
 200 Rome Court
 Fort Collins, CO 80524
 U.S.A.
 Ph: (970) 484-9048
 Fx: (970) 493-4125
www.hunt Dimming.com