

Eclipsis Series Controls
for use with
Incandescent Lighting
120V and 277V



120V
PS-600
PS-600-3W

277V
PS-627
PS-627-3W

Hunt Control Systems Inc.
200 Rome Court
Fort Collins CO 80524

Tel: (970) 484-9048
Fax: (970) 493-4125
huntdimming.com

Features:

- Continuous, flicker-free dimming control.
- Operates incandescent lighting.
- Specification-grade, preset design.
- Standard designer-style faceplate, included. (Screwless faceplate, optional.)
- Available in Ivory, White (standard colors), Brown, Black, or Gray (custom colors).
- Limited one-year warranty.

Specifications:

- Easy-to-operate, smooth-sliding linear control and switch.
- Preset slide control - strap mount.
- RFI filter.
- Available in single-pole or 3-way
- Fits in a standard 2" deep single gang switchbox.
- Maximum loads for both the PS-600 and PS-627: 600 watts
- UL Listed.

Dimensions:

Front piece dimensions: 2 3/4" X 4 1/2".
Back box dimensions: 1 5/8" X 2 5/8" X 1 3/8".

Dimming.
It's all we do.
Since 1960.

Note: If ganging multiple controls together, derating of 10% per side is necessary. All 3-way controls require a standard 3-way toggle switch to complete the circuit.



**Installation and Wiring Instructions
for
Eclipsis Series Incandescent Controls
Single Pole and 3-Way
120 Volt, 60 Hz**

Load:

PS-600 will control a maximum load of 600 watts.

PS-600-3W will control a maximum load of 600 watts in a 3-Way configuration.

Caution:

- 1). For personal safety and to prevent damage to dimmer, make sure that power is turned *OFF* at the circuit breaker before installing dimmer.
- 2). To avoid overheating or damage to dimmer and other equipment, do not install unit to control a plug-in receptacle, fluorescent lighting fixture, motor controlled appliances or low-voltage transformer supplied appliance or fixture.
- 3). When installing 3-Way dimmers, use a standard 3-Way switch. Never attempt to use two dimmers in the same circuit.

Note: The PS-600-120V dimmer has a max. control wattage of 600W, and max. input current of 5.0 amps in single-gang application. If units are ganged together, derating is necessary. Double-ganged units have max. input current of 4.5 amps (540W); triple-ganged have a max. input current of 4.0 amps (480W).

HUNT Control Systems, Inc.

200 Rome Court
Fort Collins, CO 80524
U. S. A.
Ph: (970) 484-9048
Fax: (970) 493-4125
www.hunt Dimming.com



**Installation and Wiring Instructions
for
Eclipsis Series Incandescent Controls
Single Pole and 3-Way
277 Volt, 60 Hz**

Load:

PS-627 will control a maximum load of 600 watts.

PS-627-3W will control a maximum load of 600 watts in a 3-Way configuration.

Caution:

- 1). For personal safety and to prevent damage to dimmer, make sure that power is turned *OFF* at the circuit breaker before installing dimmer.
- 2). To avoid overheating or damage to dimmer and other equipment, do not install unit to control a plug-in receptacle, fluorescent lighting fixture, motor controlled appliances or low-voltage transformer supplied appliance or fixture.
- 3). When installing 3-Way dimmers, use a standard 3-Way switch. Never attempt to use two dimmers in the same circuit.

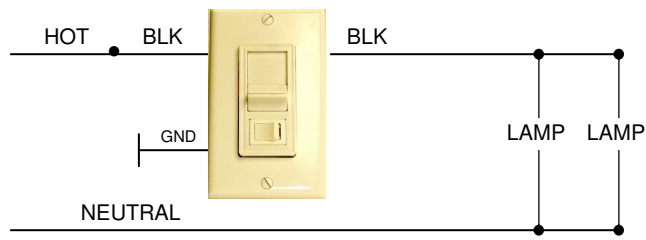
Note: The PS-627-277V dimmer has a max. control wattage of 600W, and max. input current of 2.16 amps in single-gang application. If units are ganged together, derating is necessary. Double-ganged units have max. input current of 1.9 amps (540W); triple-ganged have a max. input current of 1.7 amps (480W).

HUNT Control Systems, Inc.

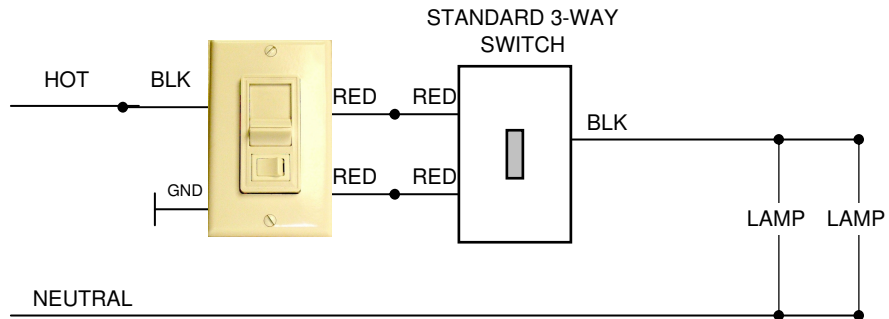
200 Rome Court
Fort Collins, CO 80524
Ph: (970) 484-9048
Fax: (970) 493-4125
www.hunt Dimming.com

**Wiring Diagrams
for
Eclipsis Series Incandescent Controls
120V and 277V
Single Pole and Three Way**

**Standard Installation
Single Pole Wiring**



Three Way Wiring



HUNT Control Systems, Inc.
200 Rome Court
Fort Collins, CO 80524
U. S. A.
Ph: (970) 484-9048
Fax: (970) 493-4125
www.hunt dimming.com