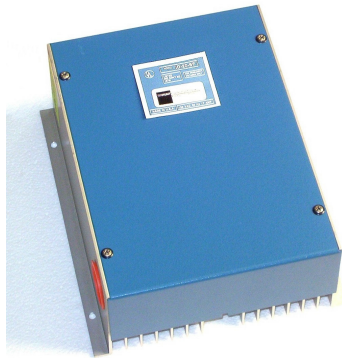
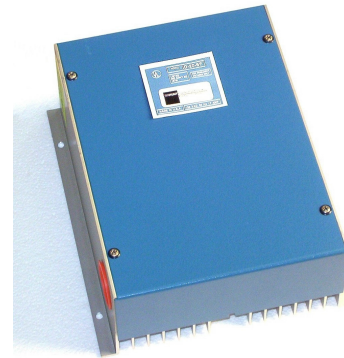


FD Series Modular Dimming Systems

for use with
0-10 Volt D. C. Architectural Dimming Ballasts
120 and 277Volts



FD-010-120



FD-010-277

Hunt Control Systems Inc.
200 Rome Court
Fort Collins CO 80524

Features:

- Continuous, flicker-free dimming to 5%
- Manually operates 1, 2 and 3 lamp compatible 0-10 Volt D.C. ballasts for T8, CFL and T5 lamps
- Remotely mounted single-gang control model PS-IFC-010
- Maximum load: 120V: 25 amps
277V: 11 amps
- Limited one-year warranty
- UL Listed.

Specifications:

- For use with approved 0-10 Volt D.C. dimming ballasts (see below)
- Wall-mounted, convection-cooled
- Requires remote control switch model PS-IFC-010 (single pole) or PS-IFC-3W-010 (3-way)
- Electronically circuited to withstand current and inverse voltage surges; include heavy-duty contactors

Tel: (970) 484-9048
Fax: (970) 493-4125
huntdimming.com

Approved ballasts:

Manufacturer	Name	Model
Advance Transformer	Mark 7	RZT(120V), VZT(277V) or IZT(dual) Series
Osram Sylvania/Motorola	Quicktronic	DIM Series
ESI/Universal	SuperDim	DIM-10 or DIM-D Series
MagneTek/Universal	Ballastar	B Series
Prescolite	Intellectplus	# must contain "D"
(Additional ballasts may also be compatible with this dimmer. Call HUNT to verify compatibility.)		

Dimming.

It's all we do.
Since 1960.

Dimensions: 10"H x 8 1/2 "W x 3 3/4 "D

**PS-IFC-010 Series Controls
for FD-010 Series Modular Systems
for use with
Compatible 0-10 VDC Dimming Ballasts
120V and 277V**



PS-IFC-010
PS-IFC-010-3W

Hunt Control Systems Inc.
200 Rome Court
Fort Collins CO 80524

Tel: (970) 484-9048
Fax: (970) 493-4125
huntedimming.com

Features:

- Preset slide control – strap mount.
- Easy-to-operate, smooth-sliding linear control and switch.
- Available in single-pole or 3-way.
- Uses standard designer-style faceplate, included in box.
- Fits in any standard 2" deep single gang switchbox.
- Limited one-year warranty.
- Available in Ivory, White (standard colors), Brown, Black or Gray (custom colors).
- Rated for 120/277V applications.

Note:

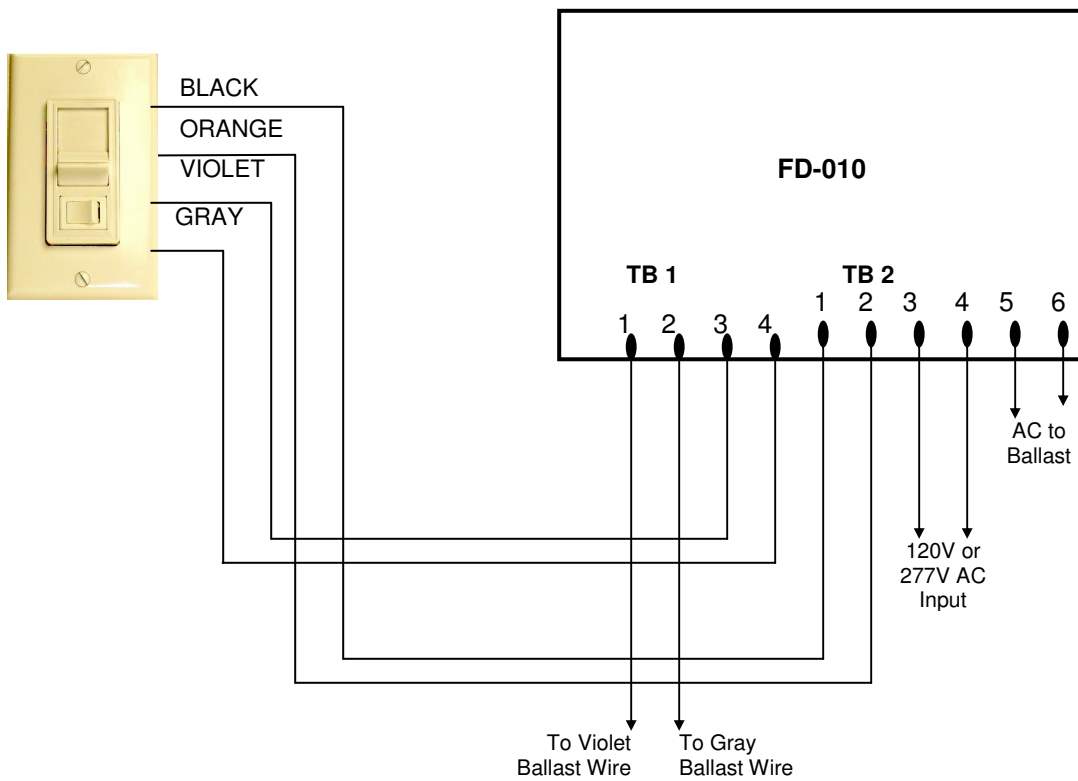
All 3-way controls require a standard 3-way toggle switch to complete the circuit

Dimming.

It's all we do.
Since 1960.

**Typical Wiring Diagram
for
FD-010 and PS-IFC-010
120V and 277V
Single Pole**

Single Pole Wiring



POLARITY MUST BE MAINTAINED FOR PROPER OPERATION

HUNT Control Systems, Inc.

200 Rome Court
Fort Collins, CO 80524
U.S.A.

Ph: (970) 484-9048

Fax: (970) 493-4125

www.hunt dimming.com

Installation and Wiring Instructions for *FD-010 Series Modular Dimmers* for use with *PS-IFC-010 Series Controls* and **Approved 0-10 Volt DC Electronic Fluorescent Dimming Ballasts 277 Volt**

Typical Application:

The FD-010 units are remotely mounted and the PS-IFC-010 units are installed at desired point of control.

Standard Installation:

Warning: To avoid fire, personal injury and/or damage to control, turn power OFF at circuit breaker and test that power is OFF before wiring.

The modular dimmer must be surface-mounted with the heat sink fins vertical to allow natural heat dissipation. Depending on local codes, use 1/2 " conduit or 1/2" EMT for installations. Dimming modules stacked one above another should be separated by a minimum of 6". Avoid installation near any type of heating system. Maximum ambient temperature for each unit is 40 degrees C or 120 degrees F. Air flow through vertical fins must not be blocked.

Type of Lamps:

The HUNT FD-010 modular dimmers and the compatible 0 - 10V DC electronic fluorescent dimmable ballasts specified are designed for use only with 25 or 32 watt rapid-start fluorescent T8 lamps, Compact Fluorescents, T5 lamps or other approved lamps.

Fluorescent lamps of different color renditions may have slightly different dimming characteristics. For this reason, it is recommended only one brand and one color lamp be used throughout each application. For smooth performance, it is also recommended that the lamps are aged 100 hours at full brilliance before being used in a dimming application. This will assist smooth dimming performance, as well as equal light distribution throughout the dimming range.

Technical Information (Typical):

Number of lamps controlled by ballast	Lamp Type	Circuit Volts 60Hz	Examples of lamps controlled by HUNT <i>FD-010</i> Series Dimmers
			11 amps
1	F32T8	277V	95
	F25T8	277V	121
2	F32T8	277V	94
	F25T8	277V	120
3	F32T8	277V	93
	F25T8	277V	119

Model Information:

Product Code	Model Number	General Description
71517	FD-010-277V	Remote-mounted unit for controlling up to 11 amps, 277V; (PS-IFC-010 control required)
71355 71356	PS-IFC-010-IV Control PS-IFC-010-WH Control	Single point-of-control for FD-010-277V unit, preset slide, single-pole.
71357 71358	PS-IFC-010-3W-IV Control PS-IFC-010-3W-WH Control	Single point-of-control for FD-010-277V unit, preset slide, 3-way.

Hunt Control Systems, Inc.
200 Rome Court
Fort Collins, CO 80524
Tel: (970) 484-9048
Fax: (970) 493-4125
www.huntdimming.com

Installation and Wiring Instructions for *FD-010 Series Modular Dimmers* for use with *PS-IFC-010 Series Controls* and Approved 0-10 Volt DC Electronic Fluorescent Dimming Ballasts 120 Volt

Typical Application:

The FD-010 units are remotely mounted and the PS-IFC-010 units are installed at desired point of control.

Standard Installation:

Warning: To avoid fire, personal injury and/or damage to control, turn power OFF at circuit breaker and test that power is OFF before wiring.

The modular dimmer must be surface-mounted with the heat sink fins vertical to allow natural heat dissipation. Depending on local codes, use 1/2 " conduit or 1/2" EMT for installations. Dimming modules stacked one above another should be separated by a minimum of 6". Avoid installation near any type of heating system. Maximum ambient temperature for each unit is 40 degrees C or 120 degrees F. Air flow through vertical fins must not be blocked.

Type of Lamps:

The HUNT FD-010 modular dimmers and the compatible 0 - 10V DC electronic fluorescent dimmable ballasts specified are designed for use only with 25 or 32 watt rapid-start fluorescent T8 lamps, Compact Fluorescents, T5 lamps or other approved lamps.

Fluorescent lamps of different color renditions may have slightly different dimming characteristics. For this reason, it is recommended only one brand and one color lamp be used throughout each application. For smooth performance, it is also recommended that the lamps are aged 100 hours at full brilliance before being used in a dimming application. This will assist smooth dimming performance, as well as equal light distribution throughout the dimming range.

Technical Information (Typical) :

Number of lamps controlled by ballast	Lamp Type	Circuit Volts 60Hz	Examples of lamps controlled by HUNT <i>FD -010</i> Series Dimmers
			25 amps
1	F32T8	120V	95
	F25T8	120V	121
2	F32T8	120V	94
	F25T8	120V	120
3	F32T8	120V	93
	F25T8	120V	119

Model Information:

Product Code	Model Number	General Description
71350	FD-010-120V	Remote-mounted unit for controlling up to 2kW, 120V; (PS-IFC-010 control required)
71355	PS-IFC-010-IV Control	Single point-of-control for FD-010-120V unit, preset slide